



EVERPURE® SO-24 SYSTEM

SOFTENING SYSTEM FOR ESPRESSO APPLICATIONS

SO-24 Espresso System w/Softening Cartridge: EV9100-94
SO-204 Softening Cartridge: DEV9105-45



APPLICATIONS

Commercial Espresso
Specialty Coffee
Ice Tea Machines

FEATURES • BENEFITS

20" large capacity softening system for espresso machines
Reduces scale-forming minerals like calcium and magnesium
Reduces scale-forming minerals by ion exchange
Includes mounting bracket, pressure relief valve and filter wrench

May be used on water having up to 30 grains per gallon (500 mg/L) hardness

Useful where full size water conditioners are impractical

Recommended to be used in conjunction with an Everpure filtration system

INSTALLATION TIPS

Choose a mounting location suitable to support the full weight of the system when operating.

Use 1" water line.

Install vertically with bowl hanging down.

Allow 2-1/2" (6.35 cm) clearance below the cartridge for easy cartridge replacement.

Flush cartridges by running water through for one (1) minute at full flow.

Make sure o-ring on bowl is sufficiently lubricated.

Always screw on bowls by hand. Do not use a housing wrench.

OPERATION TIPS

Change cartridges on a regular six (6) month preventative maintenance program.

Change cartridges when hardness of treated water increases to more than three (3) gpg.

Service flow rate must not exceed 2.0 gpm (7.6 Lpm).

Always flush the cartridge at time of installation and cartridge change.

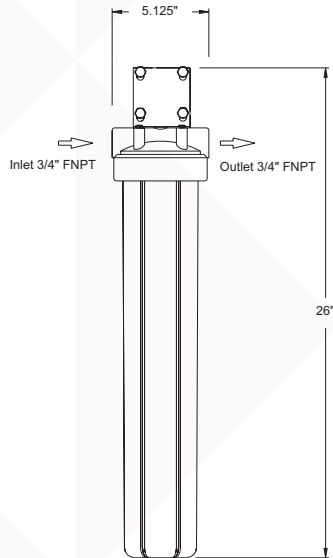
SIZING

Service Flow Rate: Maximum 2.0 gpm (7.6 Lpm)

Rated Capacity: 4,500 grain softening capacity

EVERPURE® SO-24 SYSTEM

EV9100-94



The contaminants or other substances removed or reduced by this drinking water system are not necessarily in your water. Do not use with water that is microbiologically unsafe or of unknown quality without adequate disinfection before or after the system.

SPECIFICATIONS

Service Flow Rate

Maximum 2.0 gpm (7.6 Lpm)

Rated Capacity

4,500 grain softening capacity*

Pressure Requirements

10 – 125 psi (0.7 – 8.6 bar) non-shock

Temperature

35 – 100°F (2 – 38°C)

Overall Dimensions

24" H x 8" W x 7" D
(60.9 cm x 20.3 cm x 17.7 cm)

Inlet Connection

1"

Outlet Connection

1"

Electrical Connection

None required

Shipping Weight

21 lbs (9.5 kgs)

*To determine cartridge life, divide total capacity of cartridge by the hardness in grains per gallon (gpg) or milligrams per liter (ppm), respectively.



WATER QUALITY SYSTEMS

EVERPURE-SHURFLO WORLD HEADQUARTERS, 1040 MUIRFIELD DRIVE, HANOVER PARK, IL 60133 USA • FOODSERVICE.PENTAIR.COM
800.942.1153 MAIN (US ONLY) • 630.307.3000 MAIN • 630.307.3030 FAX • CSEVERPURE@PENTAIR.COM EMAIL

EVERPURE-SHURFLO AUSTRALIA, 1-21 MONASH DRIVE, DANDENONG SOUTH, VIC 3175, AUSTRALIA
011.1300.576.190 TEL • 011.61.39.562.7237 FAX • AU.EVERPURE@PENTAIR.COM EMAIL

EVERPURE-SHURFLO CHINA, 21F CLOUD 9 PLAZA, NO 1118, SHANGHAI, 200052, CHINA
86.21.3211.4588 TEL • 86.21.3211.4580 FAX • CHINA.WATER@PENTAIR.COM EMAIL

EVERPURE-SHURFLO INDIA, GREEN BOULEVARD, B-9/A, 7TH FLOOR - TOWER B SECTOR 62, NOIDA - 201301
91.120.419.9444 TEL • 91.120.419.9400 FAX • INDIACUSTOMER@PENTAIR.COM EMAIL

EVERPURE-SHURFLO EUROPE, PENTAIR WATER BELGIUM BVBA, INDUSTRIEPARK WOLFSTEE, TOEKOMSTLAAN, 30 B-2200 HERENTALS, BELGIUM
+32.(0).14.283.500 TEL • +32.(0).14.283.505 FAX • SALES@EVERPURE-EUROPE.COM EMAIL

EVERPURE-SHURFLO JAPAN INC., HASHIMOTO MN BLDG. 7F, 3-25-1 HASHIMOTO, MIDORI-KU, SAGAMIHARA-SHI KANAGAWA 252-0143, JAPAN
81.(0)42.775.3011 TEL • 81.(0)42.775.3015 FAX • INFO@EVERPURE.CO.JP EMAIL

EVERPURE-SHURFLO SOUTHEAST ASIA, SOUTHEAST ASIA, 390 HAVELOCK ROAD, #04-01, KING'S CENTRE, SINGAPORE 169662
65.6768.5800 TEL • 65.6737.5149 FAX • CSEVERPURE@PENTAIR.COM EMAIL

All Pentair trademarks and logos are owned by Pentair, Inc. or its affiliates. All other registered and unregistered trademarks and logos are the property of their respective owners. Because we are continuously improving our products and services, Pentair reserves the right to change specifications without prior notice. Pentair is an equal opportunity employer.

WARRANTY

Everpure water treatment systems by Pentair® (excluding replaceable elements) are covered by a limited warranty against defects in material and workmanship for a period of five years after date of purchase. Everpure replaceable elements (filter cartridges and water treatment cartridges) are covered by a limited warranty against defects in material and workmanship for a period of one year after date of purchase. See printed warranty for details. Pentair will provide a copy of the warranty upon request.